



# Installation and Assembly

Secure Ceiling Mount for the  
Model 60 / Model 80

VIHK-000150

**IMPORTANT! Read entire instruction sheet before you start installation and assembly.**

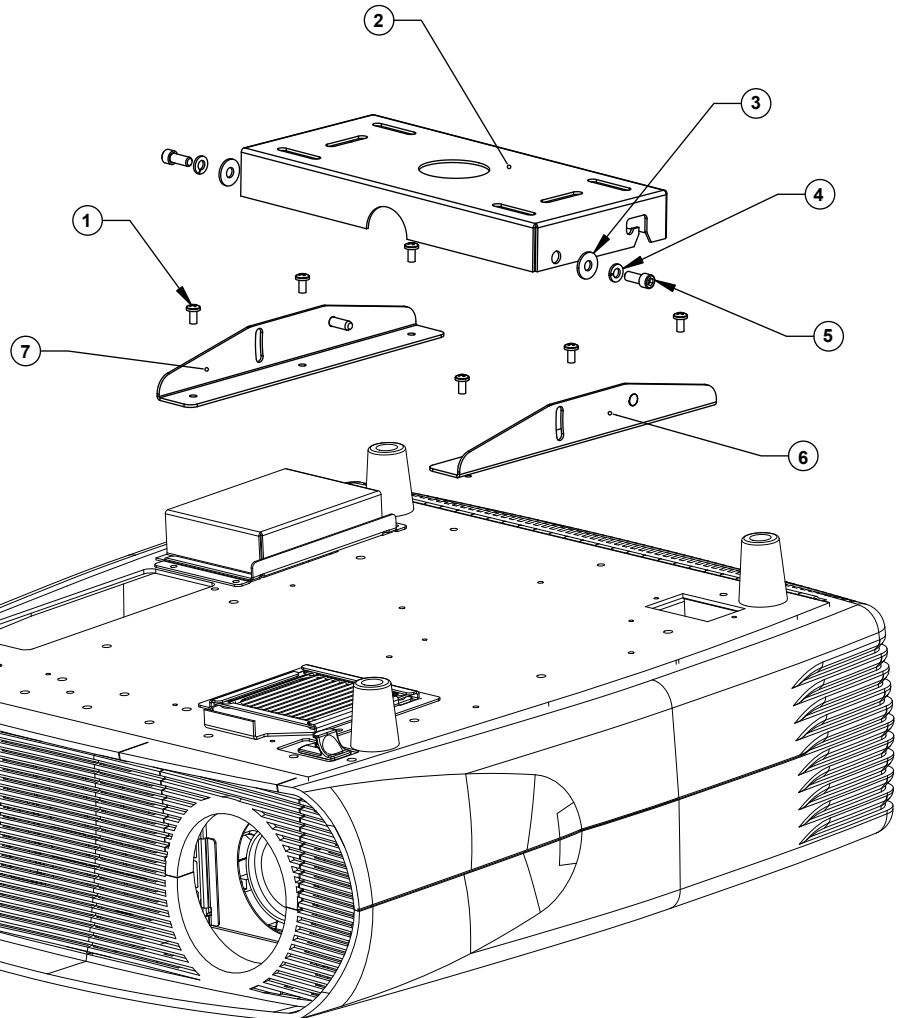
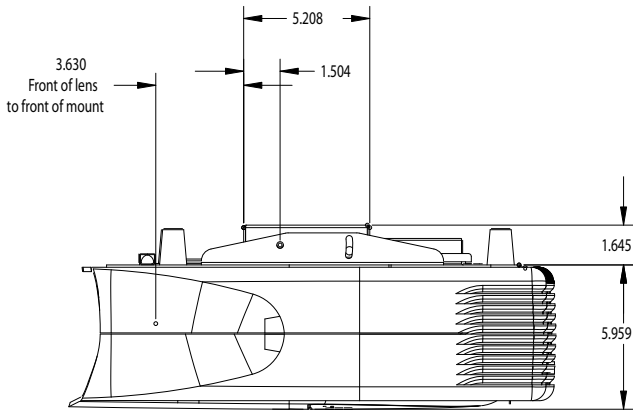
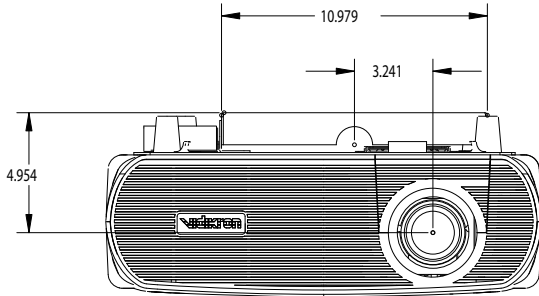


This product must be installed by a qualified, professional installer.

For customer service or to order additional mounting hardware call 1-888-4VIDIKRON.

Before you start, check the parts list below to make sure all parts are included.

ITEM	QTY	DESCRIPTION
1	6	8-32 x 3/8" Phillips-Pan Head screw
2	1	Ceiling Mount
3	2	1/4-20 Flat Washer
4	2	1/4-20 Lock Washer
5	2	Socket head cap screw 1/4-20 x 5/8
6	1	Ceiling Mount Bracket Left
7	1	Ceiling Mount Bracket Right



## 1 CONCRETE CEILING INSTALLATION

(If attaching to a wood joist ceiling skip to step 2).

**NOTE:** Concrete anchors are NOT supplied.

**USE ONLY RAWL™ #5005 OF HILTI™ HL814 CONCRETE EXPANSION ANCHORS.**

[.312 X 1.625 (8mm X 41mm)]

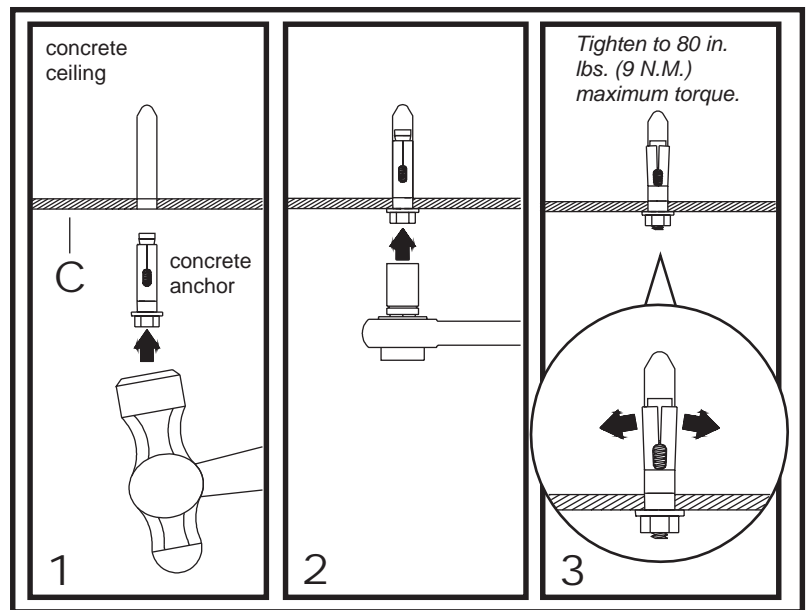
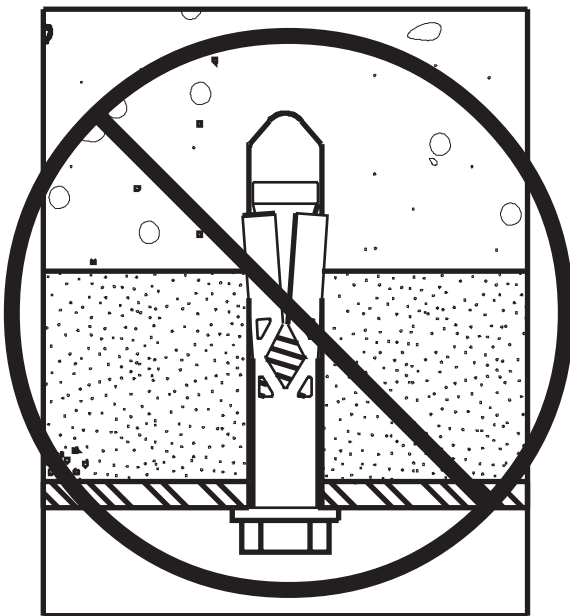
Drill four 5/16" (8mm) dia. holes 1.75" (45mm) deep.  
Attach ceiling bracket (**F**) using four concrete anchors.

Tighten to 80 in. lbs (9 N.M.) maximum torque.  
See also **CONCRETE ANCHOR INSTALLATION** below.

### CONCRETE ANCHOR INSTALLATION

**THESE CONCRETE ANCHORS ARE FOR DIRECT ATTACHMENT TO LOAD BEARING CONCRETE ONLY!#  
NOT FOR ATTACHMENT TO CONCRETE CEILING COVERED WITH PLASTER, DRYWALL,  
TILE OR OTHER FINISHING MATERIAL.**

### CROSS SECTION



## 2 WOOD JOIST CEILING INSTALLATION

Use a stud finder to locate ceiling joists. All screws must go into solid wood.

Drill four 5/32" (4mm) dia. holes, 2.5" (65mm) deep into wood.

Attach ceiling bracket (**F**) using #14 x 2.5" (6mm x 65mm) wood screws, not supplied.

Tighten to 80 in. lbs (9 N.M.) maximum torque.

**CAUTION:** Tighten wood screws so ceiling bracket is firmly attached. But **DO NOT TIGHTEN WITH EXCESSIVE FORCE!** Overtightening can cause stress damage to wood screws, greatly reducing their holding power!